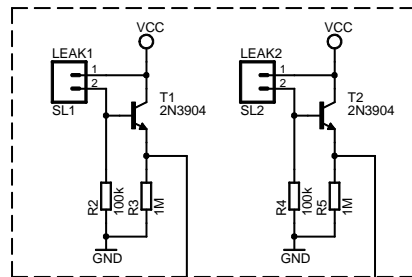
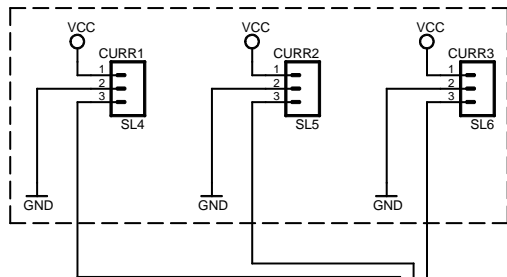


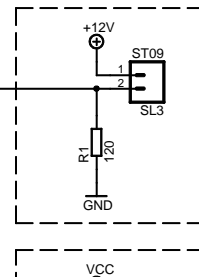
LEAK SENSORS



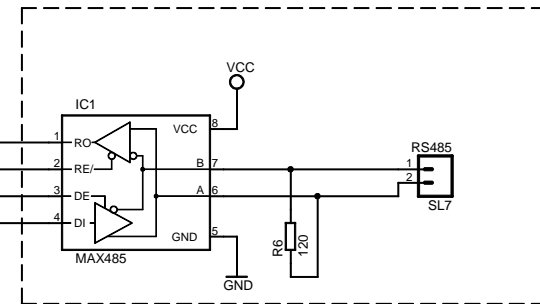
CURRENT SENSOR OR ADC INPUT



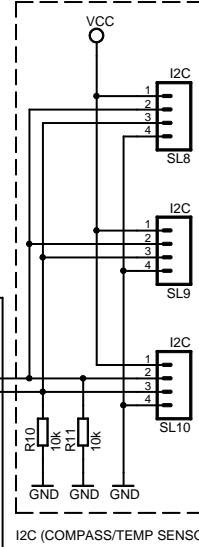
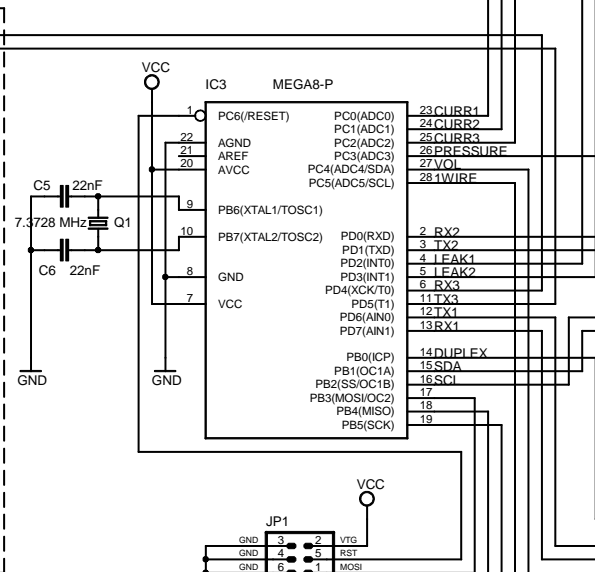
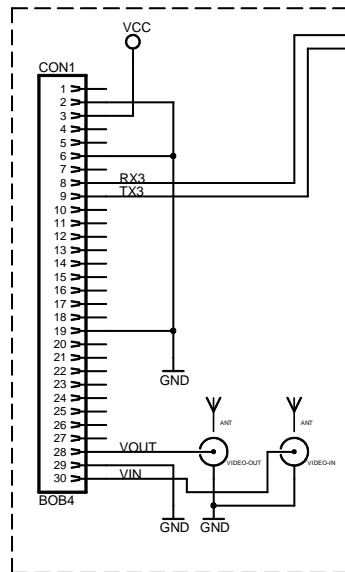
PRESSURE SENSOR



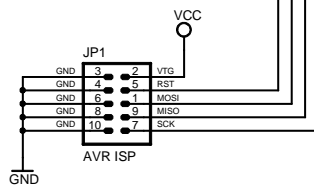
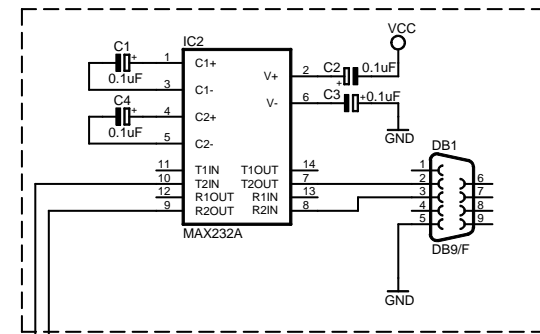
RS485



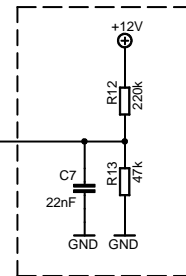
BOB4 VIDEO OVERLAY



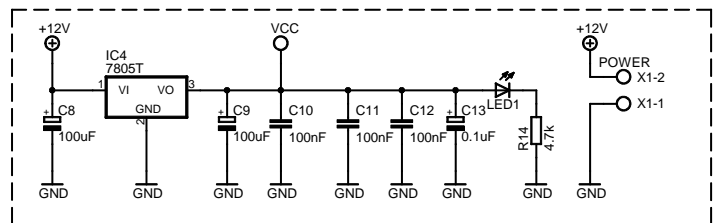
RS232



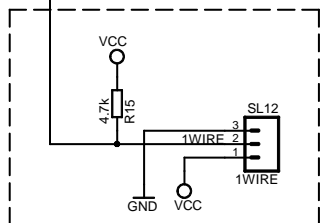
VOLTAGE



POWER



1-WIRE BUS



<h1>AQUATICUS ROV</h1>	
TITLE: ROV Sensor Board	
Document Number: http://aquaticus.info/rov_sensor_board	REV: E
Date: 2006-11-15 22:17:55	Sheet: 1/1